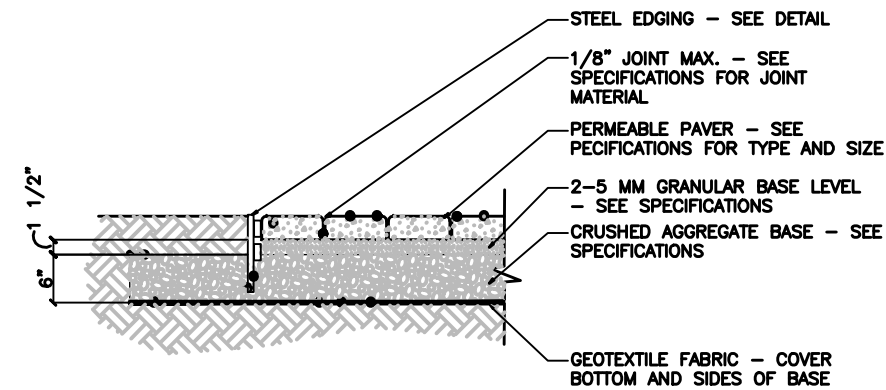
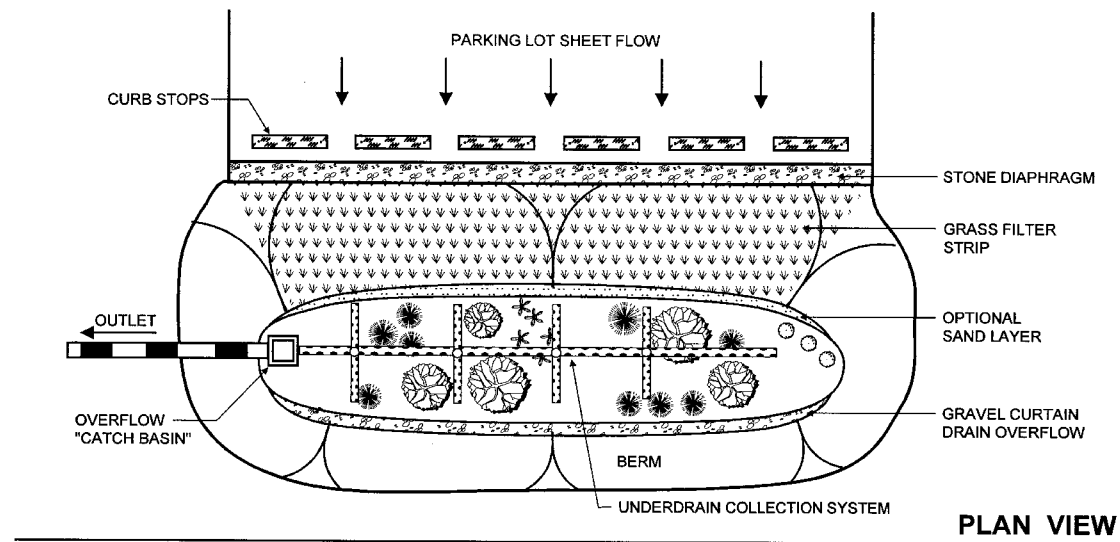


BRONX RIVER WATERSHED

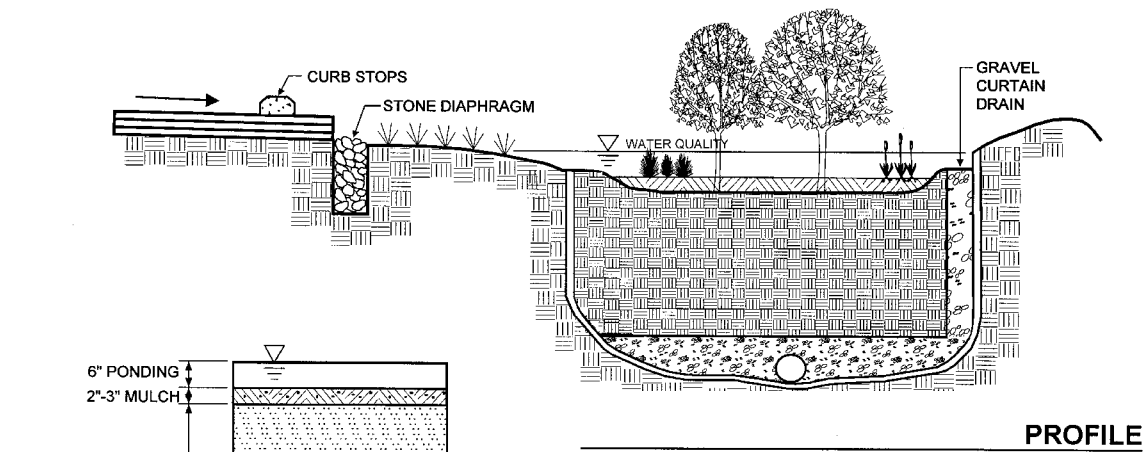


SECTION
N.T.S.

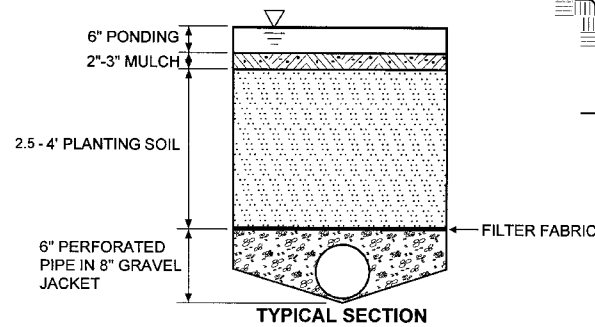
**BIOSWALE FACILITY
PROFILE VIEW - TYPICAL**



PLAN VIEW



PROFILE



TYPICAL SECTION

**BIORETENTION FACILITY
PLAN AND PROFILE VIEWS - TYPICAL**

NOT TO SCALE



Remains of Domestic:
This document and the ideas and designs incorporated herein, as an instrument of Professional Service, is the property of Blohabitats, Inc. and is not to be used in whole or in part, for any other project without the written authorization of Blohabitats, Inc.

08.04.07	REVISED CONCEPT
08.08.07	CONCEPT
DATE	ISSUES / REVISIONS

CENTER FOR WATERSHED PROTECTION
Center For Watershed Protection
2850 Innis Rd., Second Floor
Crown Pt., MD 21032-4399
tel: 410.491.2500 fax: 410.491.2504
www.cwp.org

Blohabitats, Inc.
The Services Building
2301 Clapper Park Road Baltimore MD 21211
tel: 410.564.0188 fax: 410.564.0189
www.blohabitats.com

**BRONX RIVER WATERSHED
MANHATTAN PARK BROOK**

TITLE
CONCEPTUAL PLAN FOR
STORMWATER RETROFIT AT
GREENBURGH TOWN HALL,
GREENBURGH

PROJECT NO.: 08030.01	SCALE:
DATE:	BY: BSA/PW CHECK: JVE/YS DRAW NO.: